

# RELAYS & CONTACTORS



## PLUG IN STYLE OVERLOAD RELAYS TYPE B OVERLOAD RELAYS

# AEG



B55K

### DESCRIPTION

Type B Overload Relays have NO/NC isolated contacts and are single phase sensitive. They provide consistent operation with bi-metallic heater elements. These B overload relays are factory calibrated and are Class 10 Tripping class rated. A trip test button is built in. They are adjustable and can handle up to 190Amps.

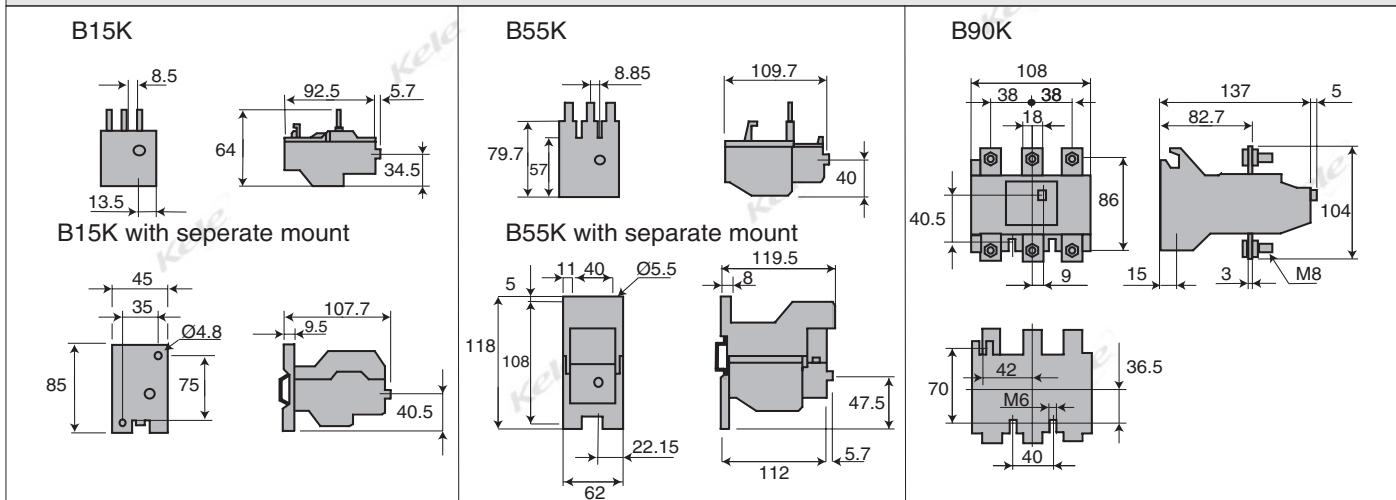
### FEATURES

- **Single phase sensitive**
- **Plug on/ Bolt on design up to B90K**
- **Precise & factory calibrated**
- **Trip test button built in**
- **Class 10 tripping class**

### SPECIFICATIONS

<b>Reset</b>	Shipped in manual reset mode. Includes automatic reset option.	<b>Weight</b>	
<b>Operating Temperature</b>	-11° to 140°F (-24° to 60°C)	<b>B185K</b>	0.5 lbs (0.23 kg)
<b>Mounting</b>	Plug in	<b>B55K</b>	1.0 lbs (0.45 kg)
		<b>B90K</b>	2.5 lbs (1.13 kg)
		<b>Approvals</b>	EL File #E103664

### DIMENSIONS



### ORDERING INFORMATION

MODEL	DESCRIPTION		
<b>B18K-B</b>	Overload Relay, 0.16-0.26 adj. amp, for 7K, 11K, 15K	<b>B18K-OM</b>	Overload Relay, 17.5-22 adj. amp, for 7K, 11K, 15K
<b>B18K-C</b>	Overload Relay, 0.25-0.41 adj. amp, for 7K, 11K, 15K	<b>B18K-ON</b>	Overload Relay, 21-26 adj. amp, for 7K, 11K, 15K
<b>B18K-D</b>	Overload Relay, 0.4-0.65 adj. amp, for 7K, 11K, 15K	<b>B18K-P</b>	Overload Relay, 25-32 adj. amp, for 7K, 11K, 15K
<b>B18K-E</b>	Overload Relay, 0.65-1.1 adj. amp, for 7K, 11K, 15K	<b>B18K-Q</b>	Overload Relay, 30-40 adj. amp, for 7K, 11K, 15K
<b>B18K-F</b>	Overload Relay, 1-1.5 adj. amp, for 7K, 11K, 15K	<b>B55K-25A</b>	Overload Relay, 18.5-25 adj. amp, for 22K, 37K, 45K, 55K
<b>B18K-G</b>	Overload Relay, 1.3-1.9 adj. amp, for 7K, 11K, 15K	<b>B55K-32A</b>	Overload Relay, 24-32 adj. amp, for 22K, 37K, 45K, 55K
<b>B18K-H</b>	Overload Relay, 1.8-2.7 adj. amp, for 7K, 11K, 15K	<b>B55K-43A</b>	Overload Relay, 30-43 adj. amp, for 22K, 37K, 45K, 55K
<b>B18K-I</b>	Overload Relay, 2.5-4 adj. amp, for 7K, 11K, 15K	<b>B55K-55A</b>	Overload Relay, 42-55 adj. amp, for 22K, 37K, 45K, 55K
<b>B18K-K</b>	Overload Relay, 4-6.3 adj. amp, for 7K, 11K, 15K	<b>B55K-65A</b>	Overload Relay, 54-65 adj. amp, for 22K, 37K, 45K, 55K
<b>B18K-L</b>	Overload Relay, 5.5-8.5 adj. amp, for 7K, 11K, 15K	<b>B55K-82A</b>	Overload Relay, 64-82 adj. amp, for 22K, 37K, 45K, 55K
<b>B18K-M</b>	Overload Relay, 8-12 adj. amp, for 7K, 11K, 15K	<b>B55K-97A</b>	Overload Relay, 78-97 adj. amp, for 22K, 37K, 45K, 55K
<b>B18K-N</b>	Overload Relay, 10-16 adj. amp, for 7K, 11K, 15K	<b>B55K-110A</b>	Overload Relay, 90-110 adj. amp, for 22K, 37K, 45K, 55K
<b>B18K-O</b>	Overload Relay, 14.5-18 adj. amp, for 7K, 11K, 15K	<b>B90K-140A</b>	Overload Relay, 110-140 adj. amp, for 75K
		<b>B90K-190A</b>	Overload Relay, 140-190 adj. amp, for 75K